

Environmental Padlock™ Model 0881/0883

ATTACK- AND WEATHER-RESISTANT DESIGN.



Sargent and Greenleaf's Environmental Padlock is designed with unique features to resist both physical and environmental attack. **With advanced built-in security, self-cleaning design, and rugged construction, these padlocks perform in even the most extreme climate.** Used extensively in railroad, utility, construction, and refinery applications, customers trust the Environmental Padlock for durability, reliable performance, and security in the toughest conditions.

FEATURES

- **BUILT-IN SECURITY.** The highly durable shackles in the Environmental Padlock are double ball locked to resist shimming, pulling, cutting, and sawing attacks. We added a powdered metal steel body around the locking cylinder for even greater security.
- **ALL-WEATHER PERFORMANCE.** With electroless plating inside and out and unique flow-through drain holes to keep water out of the lock, the Environmental Padlock delivers exceptional corrosion resistance. Self-cleaning lock cylinders sweep dirt and grit out with every key operation.
- **FLEXIBLE SIZING.** Environmental Padlocks are available in two shackle sizes to fit most outdoor applications.

Learn more at www.sargentandgreenleaf.com.

Protecting assets from high-security government sites to banks to businesses for more than 150 years, Sargent and Greenleaf continues to set the standard for innovation, security, quality, and trust.

Model 0881/0883

RUGGED SECURITY FOR OUTDOOR APPLICATIONS.

Built-in features prevent physical attacks and resist environmental conditions in any climate.

Case hardened (9/16") or stainless steel (3/8") shackle for maximum pull resistance

Unique top-loaded cylinder can only be accessed when shackle is in unlocked and open position

Electroless nickel plating inside and out to resist corrosion

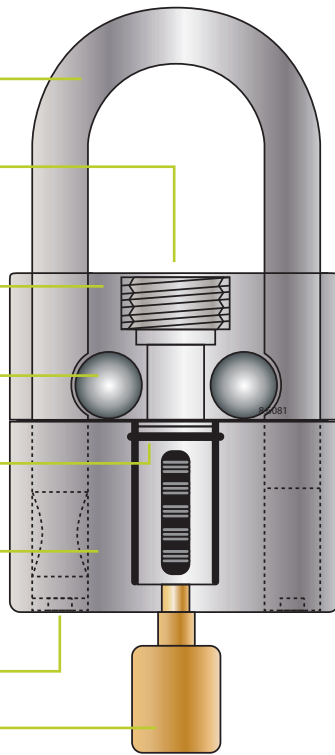
Dual deadlocking shackle to prevent shimming and shackle pulling

Fluorocarbon o-ring diverts water from cylinder

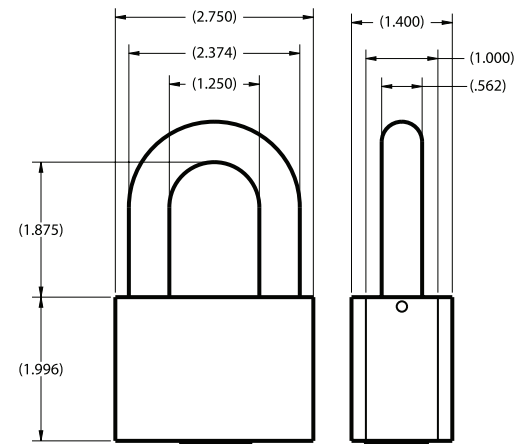
Powdered metal steel body built up around cylinder, with narrow shoulder to reduce leverage points

Unique flow-through drain holes

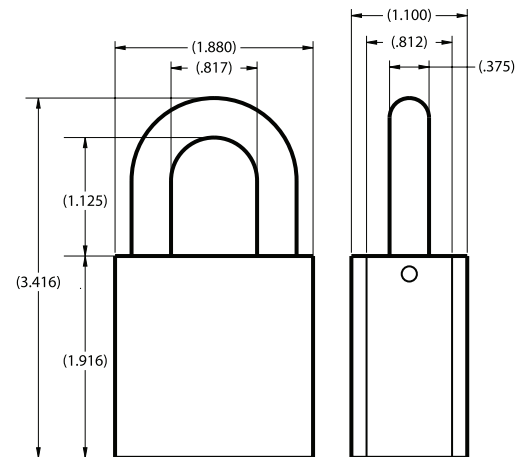
Key retained when unlocked for higher security



SPECIFICATIONS



MODEL 0881



MODEL 0883

For more information or to place an order, visit us online or contact your local Sargent and Greenleaf sales representative.

www.sargentandgreenleaf.com

Corporate Headquarters: One Security Drive • Nicholasville, Kentucky 40356 • USA • Tel. 859-885-9411, Fax 859-887-2057

Except as otherwise noted, all trademarks in this data sheet are trademarks of Stanley Black and Decker or its affiliates in the U.S. and elsewhere. ® denotes a trademark registered in the U.S. Patent and Trademark Office and patent offices around the world.

Patents Pending. Warranty is subject to terms and conditions.

- Easy servicing and rekeying by authorized S&G Distributor /Service Center
- Available keyed alike or keyed different
- Keys sold separate

WARRANTY

- One-year warranty



SG-1034
© 2018 Sargent and Greenleaf