



## S&G Spartan™ Electronic Safe Lock Model 1006/1007

**SIMPLE DESIGN. PROVEN SECURITY.**

For the past 150 years, Sargent and Greenleaf has developed trusted security for worldwide applications. **Based on the proven results of our motorized blocking devices, the two-user Spartan lock provides user-friendly security for residential gun safes.**

### FEATURES

- **DEPENDABLE SECURITY.** A motor-driven locking mechanism delivers an extra measure of security and longer battery life.
- **RUGGED DESIGN.** The Spartan lock bolt withstands 225 lbs. of bolt-end pressure for a high level of security in boltwork blocking applications.
- **BEST-IN-CLASS WARRANTY.** Sargent and Greenleaf backs Spartan Locks with a leading two-year warranty and exceptional service.

---

Learn more at [www.sargentandgreenleaf.com](http://www.sargentandgreenleaf.com).

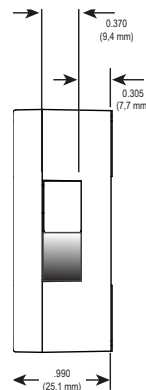
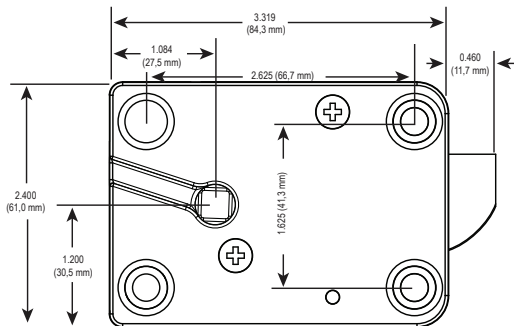
Protecting assets from high-security government sites to banks to businesses for more than 150 years, Sargent and Greenleaf continues to set the standard for innovation, security, quality, and trust.

---

# Model 1006/1007

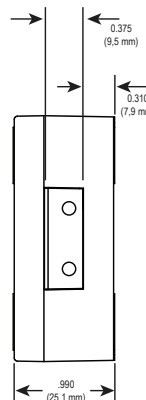
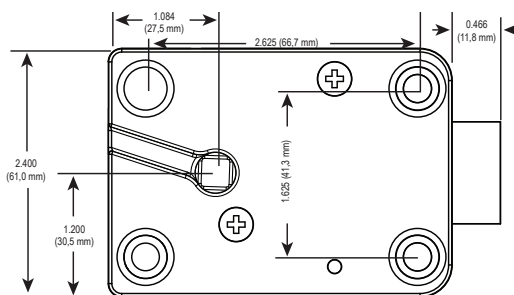
## MODEL 1006 PIVOT BOLT

- Automatically re-locks to secure the safe whenever the container's boltwork moves to the fully closed position
- Lock bolt retraction and extension is controlled by the movement of the safe's boltwork
- Withstands 225 lbs. of bolt end pressure for a high level of security
- Stainless steel lock bolt



## MODEL 1007 DIRECT DRIVE

- Lock bolt retraction and extension is controlled by turning of the keypad ring, offering dependable manual control of the locking bolt
- Exclusive no-twist cable design prevents cable damage during opening
- Withstands 225 lbs. of bolt end pressure for a high level of security



## SPECIFICATIONS

### CERTIFICATIONS

- UL Type 1
- VdS Class 2
- CEN B
- A2P B/E
- SBSC
- RoHS Compliant

### CODE MANAGEMENT

- One master code, one user code
- Manager can add, delete, or enable/disable user code
- Management Reset Code
- One million codes available
- Field programmable from keypad

### INSTALLATION

- Standard S&G Magic Module footprint
- Universally handed: left hand, right hand, up, or down mounting

### OPERATION

- Motor-blocking bolt operation
- STAR - S&G programming
- BASIC - LaGard programming
- Penalty lockout after five failed attempts
- Tested up to 10,000 openings on one 9V alkaline battery
- Low battery signal
- Bolt extension beeps/LED signals
- Beeper volume adjustment

### ADDITIONAL OPTIONS

- Bolt position indicator
- Available in one-battery keypad, two-battery keypad, quick-mount keypad, non-rotating low profile keypad (Direct Drive available in low profile rotating keypad only)
- Choose from a variety of finishes - details available online

### WARRANTY

- Two-year warranty

For more information, to find part numbers, or to place an order, visit us online or contact your Sargent and Greenleaf sales representative.

[www.sargentandgreenleaf.com](http://www.sargentandgreenleaf.com)