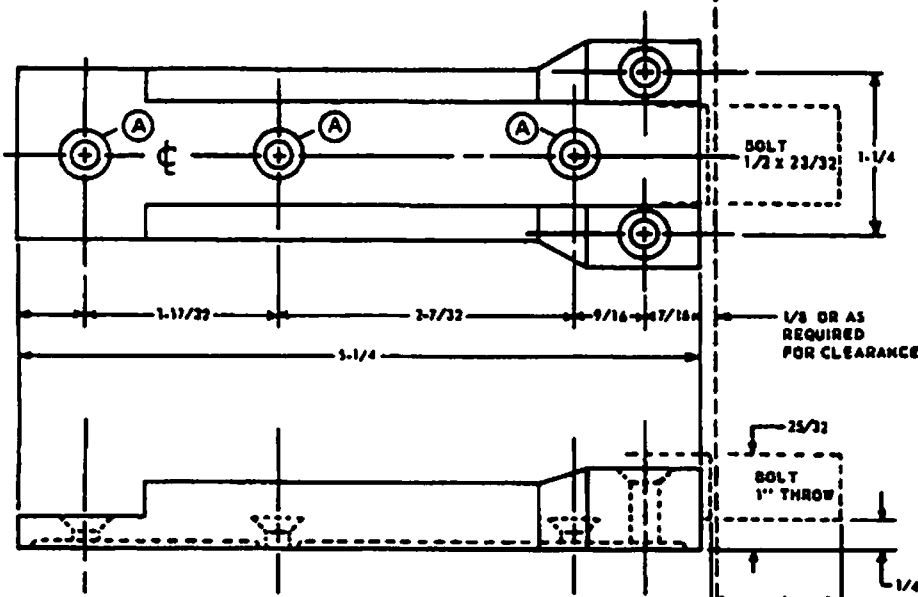


SM181 BASE

SCREWS

- (3) No. 10 x 7/8 FPH TAPPING (A)
- (2) No. 10 x 1-1/2 OPH TAPPING

FRONT EDGE OF DOOR

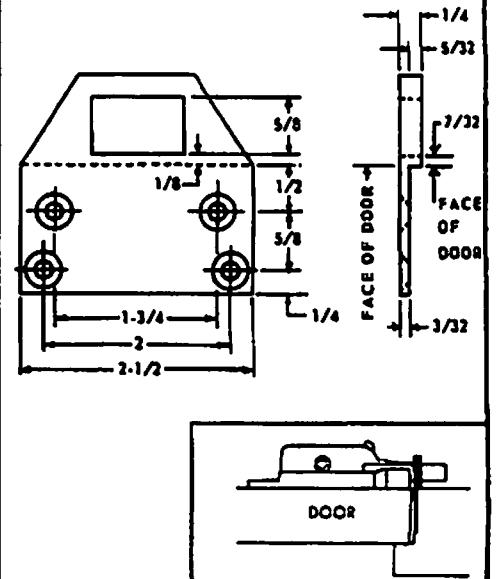


NO. 14 STRIKE

SCREWS

- (4) No. 10 x 7/8 FPH TAPPING

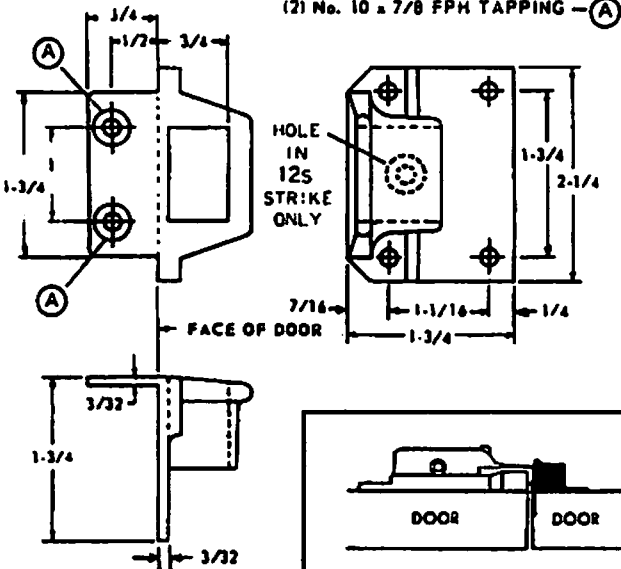
PS-77



NO. 12 STRIKE

SCREWS

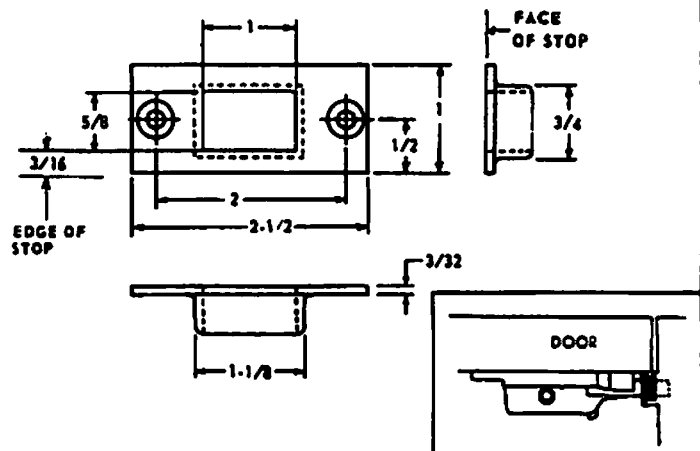
- (4) No. 10 x 7/8 PAN PH TAPPING
- (2) No. 10 x 7/8 FPH TAPPING (A)



NO. 15 STRIKE

SCREWS:

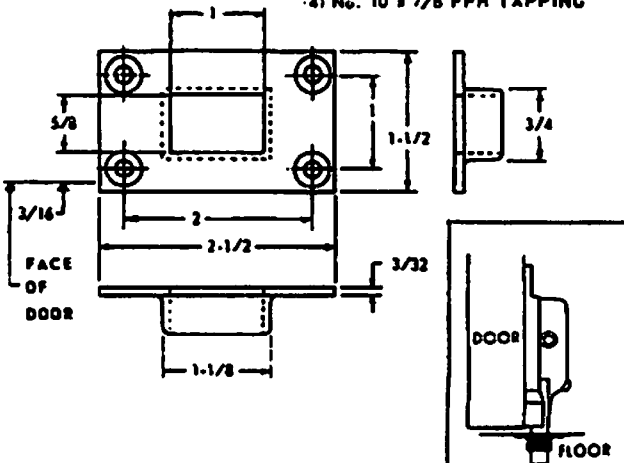
- (2) No. 10 x 7/8 FPH TAPPING



NO. 13 STRIKE

SCREWS

- (4) No. 10 x 7/8 FPH TAPPING



Sargent & Greenleaf, Inc.
 1 Security Drive
 Nicholasville, Kentucky 40356

3. With BOLT in pick position, insert a nail, scratch awl or pick into the small hole under the SHACKLE hole and hold up as shown in figure 4.

NOTE: Do not remove nail or pick from hole when SLIDE BOLT is withdrawn from BASE. It will be needed in hole for reassembly.

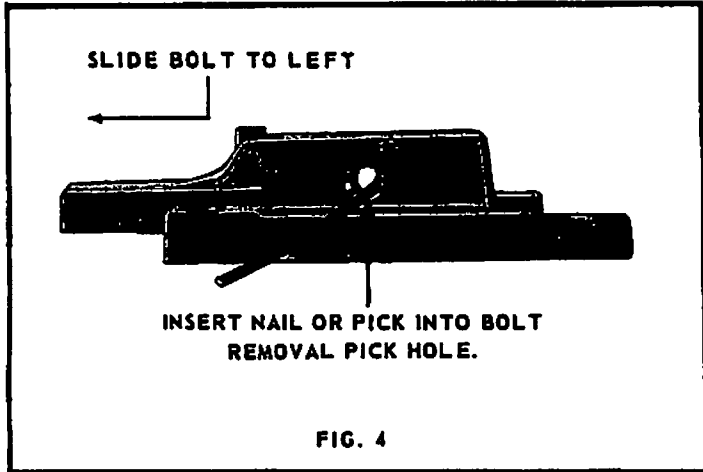


FIG. 4

MOUNTING DETAILS

4. Before installing BOLT BASE on door; carefully read and follow drilling and locating details on template.

NOTE:

5. It is frequently necessary to install the strike first, then position and install the bolt base—**ALWAYS ALLOW** a 1/8" minimum from edge of door. SLIDE BOLT extends beyond the face of BOLT BASE.

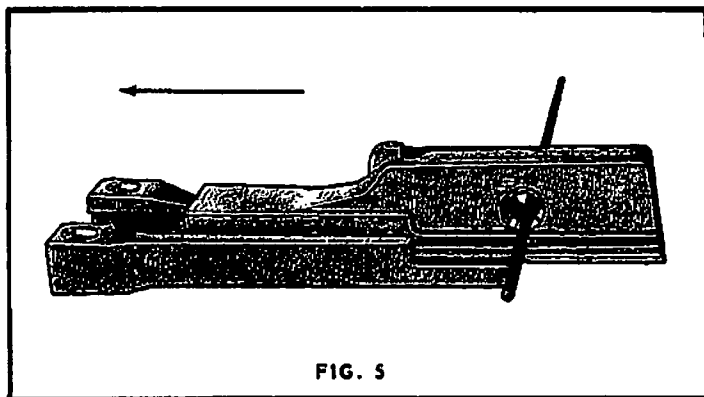


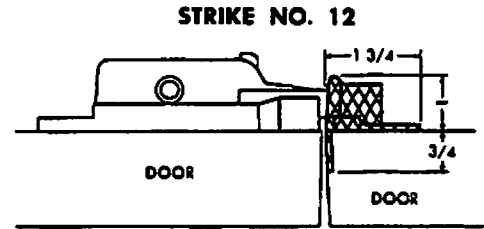
FIG. 5

REASSEMBLY INSTRUCTIONS

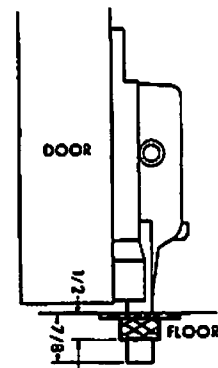
- 6a. Insert SLIDE BOLT into BASE with nail or pick still in hole. Slide all the way in. (See fig. 5)
- b. Remove nail and operate to assure proper operation.

STRIKE DETAIL

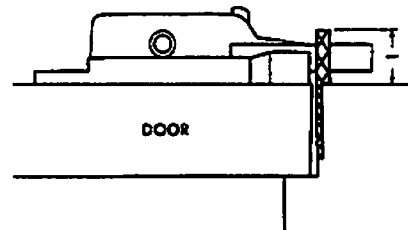
PS-75



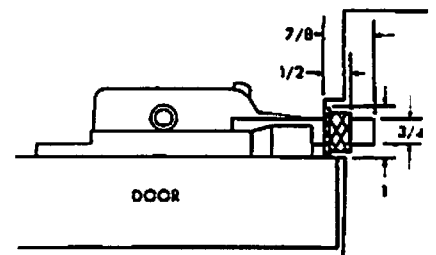
STRIKE NO. 13



STRIKE NO. 14

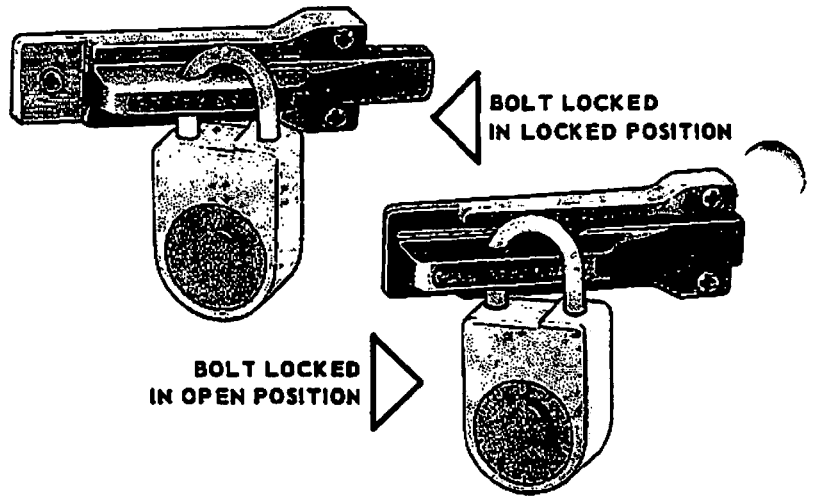


STRIKE NO. 15



PS-76

7. SM181 BOLT can be locked in locked (with BOLT extended or thrown) or in unlocked (open) position. For maximum padlock security, it is recommended that the SG8088 Combination Padlock permitting 100,000 key-changing combinations be used with the SM181 SLIDING DEAD BOLT.



SPECIFICATIONS

Material: Case and strikes--die cast "Zamak" alloy. Bolt--die cast "Zamak" with hard steel core pins.

Case: 5-1/4 x 1-3/4 x 1-3/8

Bolt: 7/16 x 1/2

Bolt Throw: 1

Hasp Hole: 5/16 diameter

Padlock: Not included--recommended, SG8088

Application: For right or left hand, vertical up or down or sliding sash.

Screws: No. 10 tapping screws for wood or metal.

