

S&G® Environmental Padlock

Model 0880/0881

Sargent and Greenleaf's Environmental Padlock was designed to resist both physical attack and harsh environments. This line of padlocks was made to withstand extreme weather conditions for extended periods of time. The self-cleaning locking cylinders ensure the lock will open quickly and easily even under the toughest conditions – yet, it is almost impossible to break. Ideal for outdoor use in any climate, the Environmental Padlock has become the standard of security for industries such as railroads, utilities, construction and refineries



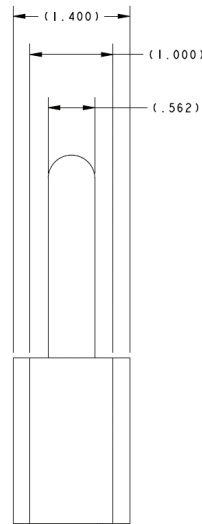
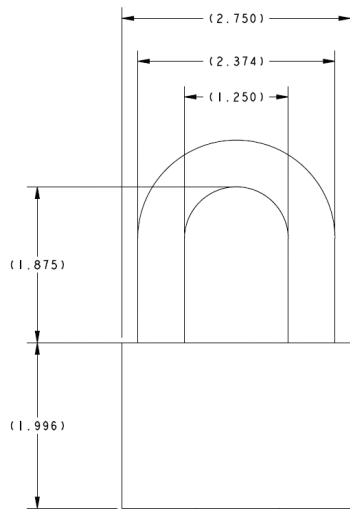
Model 0880/0881

MODEL 0880/0881 FEATURES & BENEFITS

- Case hardened or stainless steel shackle
- Electroless nickel plating inside and out to resist corrosion
- Key retaining design secures key in padlock while unlocked to promote security
- Dual deadlocking shackle to help prevent shimming, pulling, butting, and sawing
- Self-cleaning locking cylinders that sweep out grit and dirt when operated by the key
- Unique flow-through drain holes
- Powdered metal steel body is built up around the cylinder to help prevent from physical attack
- Available in 7/16" shackle and 3/8" shackle sizes
- Unique body and cylinder construction designed to resist harsh weather conditions

Environmental Padlock

Model 0880/0881



CERTIFICATIONS

- UL Type 1
- EN 1300
- Vds Class 2
- A2P B/E
- ECB-S
- CNPP



AVAILABLE PART NUMBERS

- 3006-102 PivotBolt Lock
- 3007-102 Direct Drive Lock
- 3103-130 Flash Drive
- 3103-095 Flash Drive with Audit Trail Software
- 3006-101 25 Pivot Bolt Locks
- 3007-101 25 Direct Drive Locks
- 31KP-101 25 USB Audit Keypads

SECURE YOUR REPUTATION WITH SARGENT AND GREENLEAF®

Sargent and Greenleaf locks have been protecting the assets of banks, offices and retail businesses for more than 150 years. The S&G Environmental Padlock represents the latest technology advances to provide the highest level of security.

Training and a best-in-class warranty accompany S&G Environmental Padlocks.

www.sargentandgreenleaf.com

Corporate Headquarters: One Security Drive • Nicholasville, Kentucky 40356 • USA • Tel. 859-885-9411, Fax 859-887-2057
Except as otherwise noted, all trademarks in this data sheet are trademarks of Stanley Black and Decker or its affiliates in the U.S. and elsewhere. ® denotes a trademark registered in the U.S. Patent and Trademark Office. Patents Pending.



SG-EP SEEL SHEET Rev 07.14.16
© 2016 Sargent & Greenleaf, Inc.