

# AxisBlu™

## AxisBlu™ Safe Lock Enabled by Bluetooth®

PROVEN SECURITY TECHNOLOGY  
INNOVATION FOR SMART CONVENIENCE



With AxisBlu, you don't have to choose between convenience and security. We combine the latest Bluetooth® technology upgrades with our proven lock body to create a radical new option for safe security— **accessing your safe securely via mobile app.**

### FEATURES

- **BLUETOOTH INNOVATION.** The latest Bluetooth upgrades bring the technology up to S&G's stringent security standards. New functionality and multiple levels of authentication in mobile devices make AxisBlu's Bluetooth connectivity a reliable, fully secure method of access.
- **PROVEN SECURITY.** Backed by the proven security of S&G's trusted Titan motorized locking device, AxisBlu adds firmware enhancements for even greater protection.
- **STARTLING CONVENIENCE.** AxisBlu pairs with up to five mobile devices along with ten users—allowing lightning fast Bluetooth access via our AxisBlu app.
- **EASY INSTALLATION.** Although AxisBlu leverages multiple components for added security, we designed the lock for easy installation—matching standard safe lock footprints and machining.

**AxisBlu sets the standard for safe security—now and for the future.**

Learn more at [www.sargentandgreenleaf.com](http://www.sargentandgreenleaf.com).

Protecting assets from high-security government sites to banks to businesses for more than 160 years, Sargent and Greenleaf continues to set the standard for innovation, security, quality, and trust.

# AxisBlu Safe Lock

## Put AxisBlu at the center of your safe security.

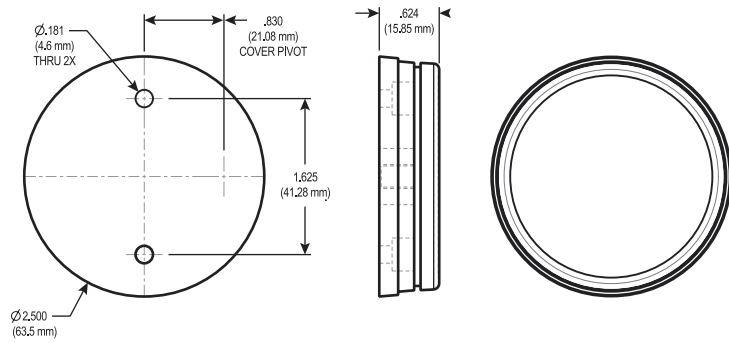
AxisBlu integrates multiple components to deliver enhanced functionality and uncompromised security. Precision engineering provides durability while keeping installation simple.

### Modern Aesthetic and Convenient Access

Update the look of your safe with AxisBlu external components.

#### MODERN MEDALLION

Our sleek, unobtrusive design puts the lock keypad on your mobile device instead of the safe front and gives you immediate access.



#### ONE-BATTERY KEYPAD

Use the black platinum finish keypad via the Bluetooth app or manually—allowing you to control access for a wider range of operators.



#### QUICKMOUNT KEYPAD

Also Bluetooth compatible, our Quickmount keypad in black matte finish makes retrofit or installation even easier—and faster than ever before.

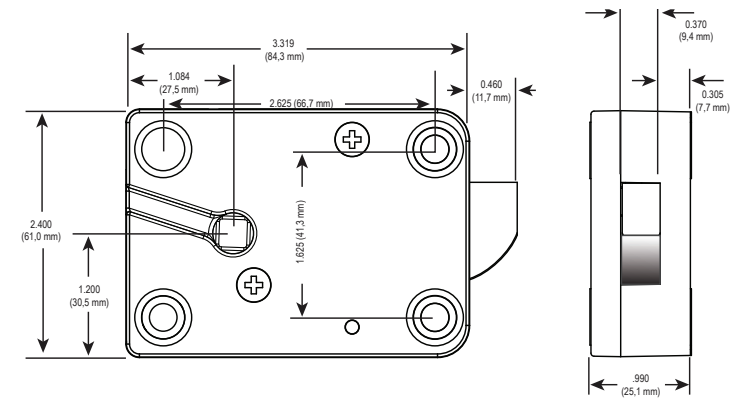


### Reliable Security Engineered for Retrofit

Proven mechanical security combines with Bluetooth technology in AxisBlu interior components.

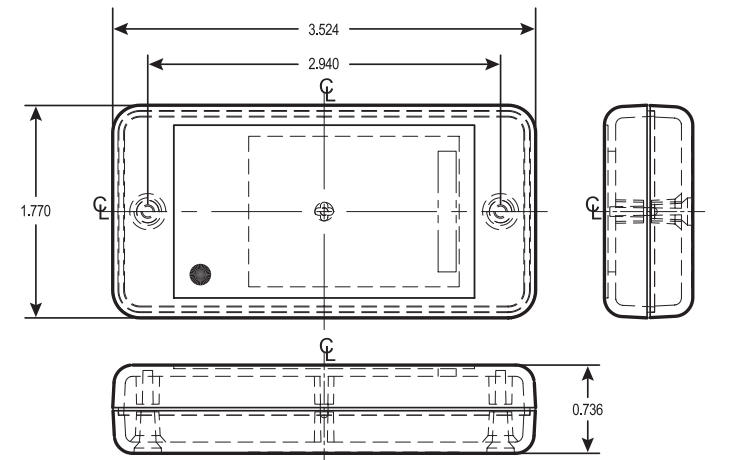
#### TITAN PIVOTBOLT LOCK

Firmware enhancements allow our proven Titan lock to function securely with a mobile device using Bluetooth technology.



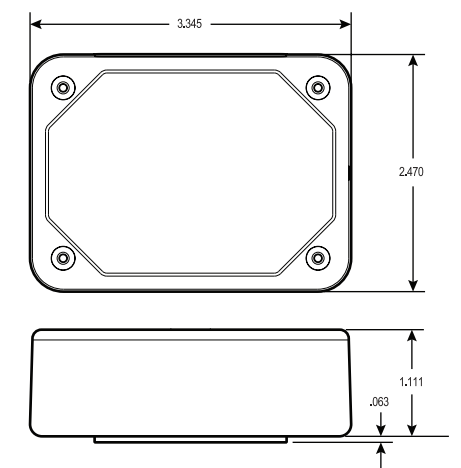
#### BLUETOOTH ANTENNA

We engineered AxisBlu's Bluetooth module to provide access through the safe door by using the existing spindle hole for wide-range antenna placement. The Bluetooth antenna operates at a range of up to 30 feet.



#### BATTERY BOX

AxisBlu Medallion Locks use an internal battery box. This component is not required with the keypad kits.



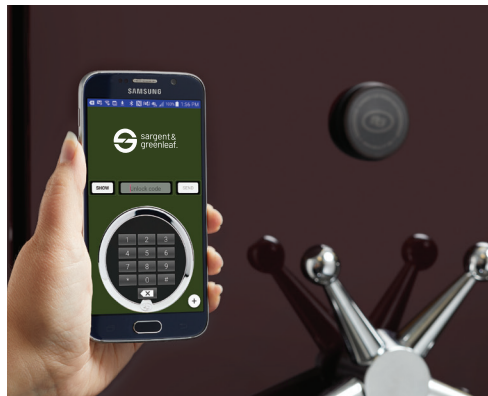
# AxisBlu Safe Lock

## Future Focused Performance. Proven Security.

Our trusted Titan lock and enhanced Bluetooth technology make AxisBlu a secure way to update the look and operation of your safe.

### EMBEDDED PIVOTBOLT LOCK

- Automatic re-locking with fully closed boltwork
- Lock bolt retraction and extension controlled by boltwork movement
- Withstands 225 lbs. of bolt end pressure
- Stainless steel lock bolt



### AXISBLU APP

Available for iPhone or Android, our free AxisBlu App allows quick access from mobile devices that support Bluetooth Low Energy 4.2 technology.

### AXISBLU KITS

Purchase an AxisBlu kit and receive everything you need to install or retrofit AxisBlu for your safe. Available in three complete packages:

#### Medallion Kit

- Medallion
- Lock body
- Battery box
- Bluetooth module

#### Keypad Kit

- Black platinum one-battery keypad or QuickMount keypad
- Lock body
- Bluetooth module

### SPECIFICATIONS

#### CERTIFICATIONS

- Keypad kits: UL Type 1

#### CODE MANAGEMENT

- Pair with up to five devices and ten users
- Management reset code
- Time-delay override code
- One million codes available
- Programmable from mobile device

#### INSTALLATION

- Fits standard safe lock mounting
- Internal components use existing safe structure

#### OPERATION

- Multiple levels of authentication (phone, app, PIN/code)
- Motor-blocking bolt operation
- Penalty lockout after five failed attempts
- Time delay 99 minutes (1-15 minute opening window)
- Battery box requires two 9V alkaline batteries
- Keypads operate with one 9V alkaline battery
- Low battery signal indicated via mobile app

#### WARRANTY

- Two-year limited warranty

**For more information or to place an order, visit us online or find us at participating retailers nationwide.**

[www.sargentandgreenleaf.com](http://www.sargentandgreenleaf.com)

