

S&G Model 1004 Electronic Lock

A TWO-USER LOCK BUILT ON A HERITAGE
OF PERFORMANCE AND TRUST.



Choose the expertise and excellence that governments, banks,
and businesses worldwide have trusted for more than 150 years.

**Protect your safe with Sargent & Greenleaf's
two-user Model 1004 electronic lock.**

FEATURES:

- **HIGH SECURITY.** The Spinblocker lock withstands extreme pressure and delivers fail-safe security.
- **RELIABLE PERFORMANCE.** The Model 1004 lock delivers durability for the long haul, reducing the risk of costly repairs and the hassle of frequent maintenance.
- **STRESS-FREE WARRANTY.** We stand behind the construction and functionality of the Model1004 lock with a one-year warranty.
- **SIMPLE INSTALLATION.** The Model 1004 lock fits the standard Sargent & Greenleaf Magic Module footprint, is field programmable, and is universally handed for easy right hand, left hand, vertical up, or vertical down mounting.

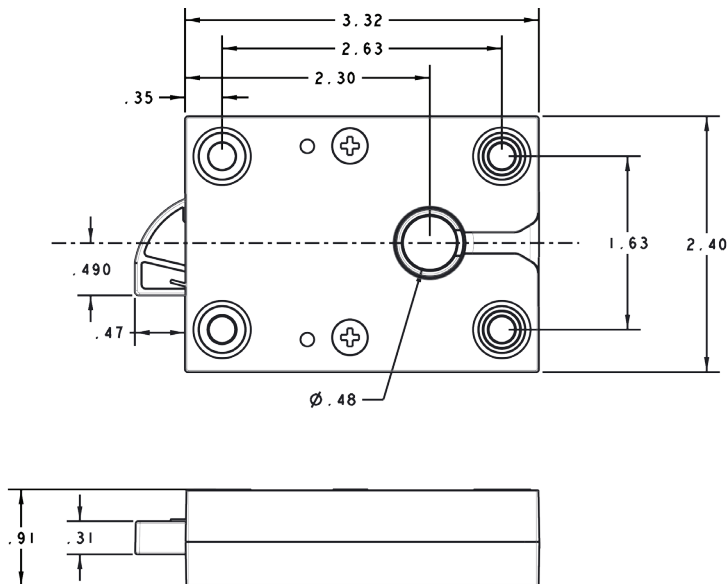
Learn more at www.sargentandgreenleaf.com.

Protecting assets from high-security government sites to banks to businesses for more than 150 years,
Sargent & Greenleaf continues to set the standard for innovation, security, quality, and trust.

Model 1004

TRUSTED SECURITY FOR RESIDENTIAL GUN SAFES

Sargent & Greenleaf's Model 1004 electronic lock delivers the performance and security you expect in a user-friendly two-user format.



PART NUMBERS

- 1004-101C Bulk Locks (US)
- 1004-101M Bulk Locks (Metric)
- 6120-272 Bright Chrome Bulk Keypads
- 6120-274 Black Platinum Bulk Keypads
- 6120-276 Matte Black Bulk Keypads

www.sargentandgreenleaf.com

Corporate Headquarters: One Security Drive • Nicholasville, Kentucky 40356 • USA • Tel. 859-885-9411, Fax 859-887-2057

Except as otherwise noted, all trademarks in this data sheet are trademarks of Stanley Black and Decker or its affiliates in the U.S. and elsewhere. ® denotes a trademark registered in the U.S. Patent and Trademark Office.

Patents Pending.

SPECIFICATIONS

CERTIFICATIONS

- UL Type 1

CODES

- One master code
- One user code
- Management Reset Code
- One million codes to choose from
- Field programmable from keypad

INSTALLATION

- Easily mounted Quickmount keypad
- Universally handed
- Standard S & G Magic Module footprint

OPERATION

- Choose STAR or Basic operating procedures
- Penalty lockout after five failed attempts
- Tested up to 3,000 openings on a single 9-volt alkaline battery
- Low battery signal

SPINBLOCKER LOCK

- Motor-driven, automatic secure mechanism
- Automatically locks when boltwork fully extended
- Lock bolt withstands 225 lbs (1000 newtons) of bolt end pressure

ADDITIONAL FEATURES

- Bright Chrome, Black Platinum or Matte Black keypad finishes
- Lighted keypad
- 1-year warranty

